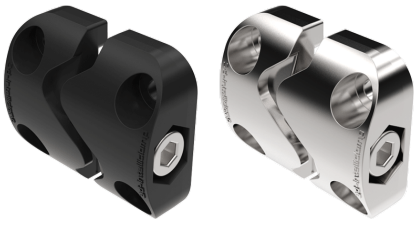


INTELLICLAMP 3D 50X50MM



3D-Intelliclamp for connection of sections or units. The 3D-Intelliclamp will align separate units in X-, Y- and Z-axis as the bolt is tightened. Provides a solid connection with perfect alignment of surfaces. Mounting with rivets or screws. Each 3D-Intelliclamp consists of two interlocking halves, inter connecting bolt and nut.



MATERIAL

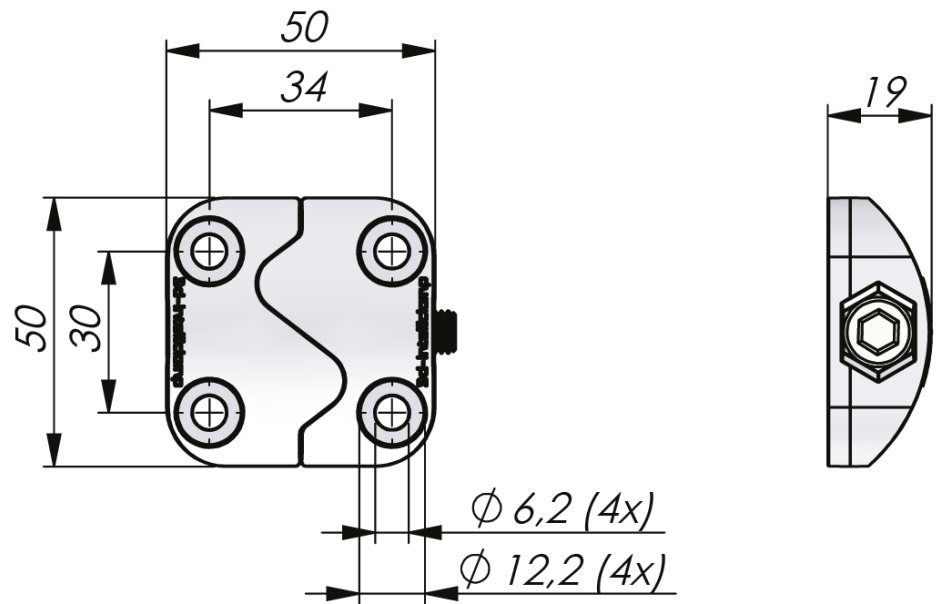
Interlocking parts: Zinc die cast, black texture powder coated or zinc plated
Through-bolt and nut (M8): Steel, zinc plated

RELATED PRODUCTS

Similar products: 5-400, 5-402
 Use the Index Code at industrilas.com

TECHNICAL INFORMATION

Tighten the through-bolt using a 6 mm hexagon key (Allen key).
 Screws, bolts or rivets for mounting are not included.



P/N	Description	Surface treatment
271134-01	3D-Intelliclamp™ 50 x 50 mm	Zinc plated
271634-01	3D-Intelliclamp™ 50 x 50 mm	Black coated